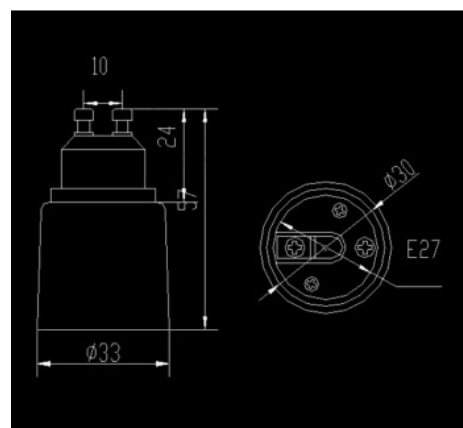




Adapter GU10 to E27 thread converter

Ref. B1641

Adapter socket from GU10 to E27 Allows to place bulbs with E27 thread in sockets with GU10 base.



Product data

Certificates

CE, ROHS

