

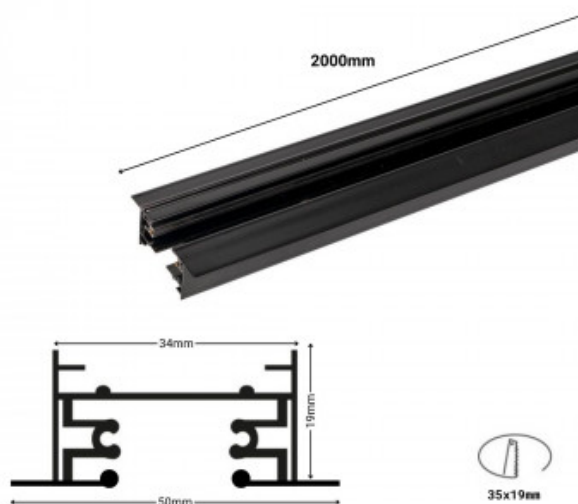
Single-phase recessed track for LED spotlights - 2 meter bar

Ref. BTME-200

2 meter bar of single-phase rail for recessed mounting. The rail has the necessary hardware and fixing screws, and can be cut to the desired size. Its design includes two external fins as trims, hiding any imperfection in the ceiling and being practically flush with the surface. Includes start feeder and end cap ** Includes start feeder and end cap **. Voltage: 220-240 V Dimensions: 2000x50x19mm. IP20

Product data

Nominal Voltage (V)	220 - 240 V/AC
Dimensions (mm) LxIxh	2000x50x19
Use Outdoor	No
IP	IP20
Certificates	CE, ROHS
Warranty	According to legal guarantee: 2 years
Mounting	Recessed
Maximum power (W)	1000
Maximum intensity (A)	6
Track Type	Monophasic



Product variants

Reference

Attributes

BTME-200-B

Colour - White



BTME-200-N

Colour - Black

