



CCTSystem 15W single-phase LED track spotlight 15W

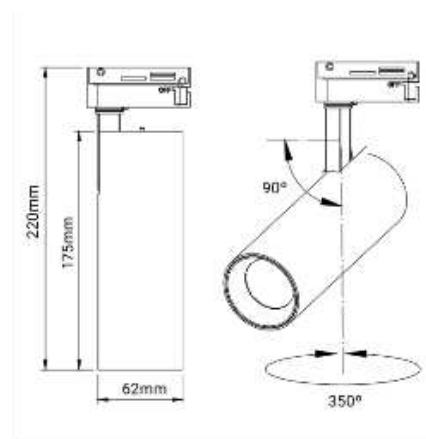
Ref. B00215

Single-phase 15W LED track spotlights. Single-phase 15W LED track spotlight, with an opening angle of 38° and a luminous intensity of 1150 lumens. Designed to be used only on single-phase rails. Ideal in lighting to highlight the products of all types of stores: fashion, aesthetics, hairdressing, jewelry stores, restaurants Any type of product that you want to have a greater exposure. 15W1150 LM Single-phase COB Chip Driver: Lifud 38° Angle



Product data

Hue	Cool white, Neutral white, Warm white
Kelvin (K)	7000, 4000, 2700
UGR	No
LED Type	COB
Dimmable	No
Sensor	No
Orientable	Yes
Material	Aluminium
Use Outdoor	No
IP	IP20
Temperature range	-20°C ~ +40°C
Frequency of use	Intensive
Certificates	CE, ROHS
Warranty	According to legal guarantee: 2 years
Track Type	Monophasic



Product variants

Reference

Attributes

B00215-B

Colour - White



B00215-N

Colour - Black

