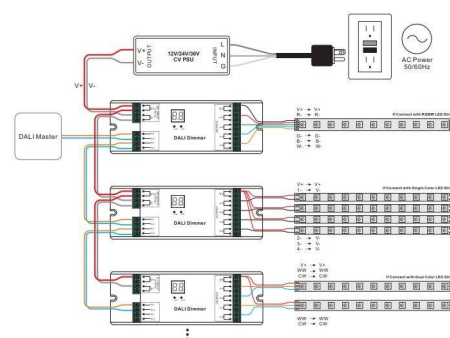


## Dali DC Dimmer 12-36V 8A/channel (4 channels)

### Ref. SR-2303BEA

The SR-2303BEA is a constant voltage LED dimming controller with 4 channels 8A per channel output. It converts a standard Dali signal into a 12-36V-DC PWM signal for operation with LED strips or similar. With four channels that can be controlled separately. The DALI address can be manually assigned and displayed on the digital numeric display or automatically assigned by the master controllers. It can also be used to control RGB or RGBW strips. Smooth dimming from 0%-100% with the DALI dimmer using logarithmic dimming, which is perfect for human vision.



### Datos del producto

Nominal Voltage (V)	12-36V-DC
Maximum intensity (A)	4x8

