



KUKKA" interior wall light with switch and socket

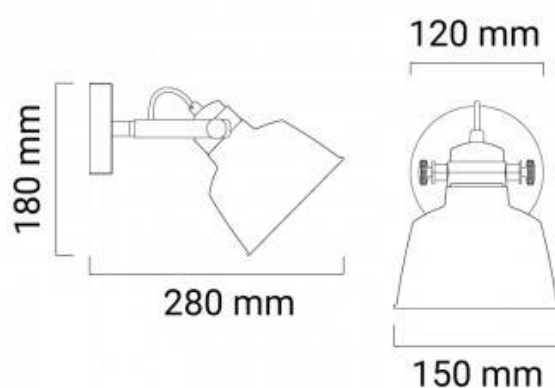
Ref. LN4003

Indoor wall sconces with plug and switch, from the Kukka family of lamps, are designed to match the Nordic decorating trend. Wall sconce with adaptable angle perfect as a decorative lamp for bedroom, living room, or to decorate restaurants, studios, hotels, stores, etc. With E14 socket maximum power 60W, the bulb is not included. Made of aluminum with black and white braided cable. Dimensions of 150mm wide, 180mm high and 280mm deep. Exclusive for interior with IP20 protection degree. **E14 bulb not included



Product data

Beam angle (°)	180
Nominal Voltage (V)	230V-AC
Frequency (Hz)	50 - 60
Sensor	No
Socket	E14
Orientable	Yes
Dimensions (mm) LxHxW	150x180x280
Material	Metal
Use Outdoor	No
IP	IP20
Certificates	CE, ROHS
Warranty	According to legal guarantee: 2 years
Mounting	Surface
Style	Vintage



Product variants

Reference

Attributes

LN4003-EU-B

Colour - White



LN4003-EU-N

Colour - Black

