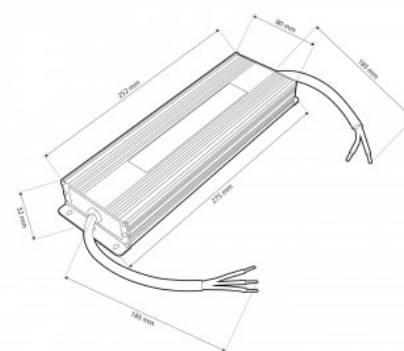




Waterproof slim power supply 300W 24V - 12.5A - IP67

Ref. B1585-300

300W slim waterproof power supply with high efficiency and long life. It is designed to power LED lamps with a voltage of 24V and a maximum of 12.5A. It has short-circuit, overload and overvoltage protection. Power 300W Output voltage: 24V Output current: 12.5A IP67



Product data

Power (W)	300
Nominal Voltage (V)	180-250
Frequency (Hz)	50 - 60
Power factor (cosφ)	0.4
Dimensions (mm) LxHxh	275x80xx30mm
Weight (g)	740
Material	Aluminium
Use Outdoor	Yes
IP	IP67
Temperature range	-20°C ~ +40°C
Frequency of use	Normal
Lifetime (h)	25000
Energy efficiency class	A+ (2021)
Certificates	CE, ROHS
Warranty	According to legal guarantee: 2 years
Output voltage (V)	24V
Maximum intensity (A)	12.5

