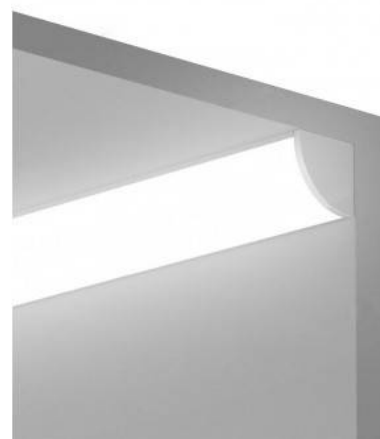


Aluminum profile for LED strip surface 16x16mm for corner

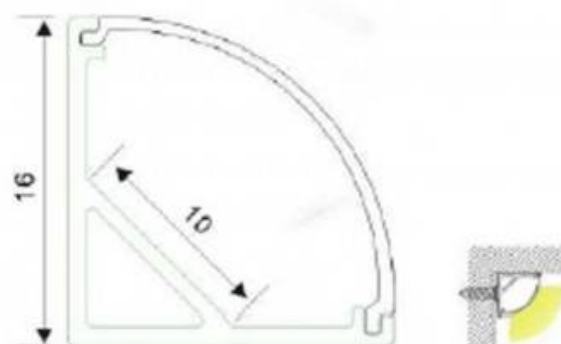
Ref. BPERF16X16

Aluminum profile for LED strip extruded 16x16mm. The installation of a strip in this type of profile with 45° orientation is ideal for corners of ceilings, shelves...It is also widely used in the bottom of the kitchen countertops, directing the light downward or downward depending on what you are looking for. In this way we avoid sending the light to the walls, gaining in lighting for the room. AVAILABLE IN 1 METER OR 2 METER BARS.- Does not include accessories or diffuser -



Product data

Dimensions (mm) LxH	16X16
Material	Aluminium
Use Outdoor	No
IP	IP20
Certificates	CE, ROHS
Warranty	According to legal guarantee: 2 years
Mounting	Surface



Product variants

Reference

Attributes

BPERF16X16-1M

Length - 1 meter



BPERF16X16

Length - 2 metres

