



L-joint for surface magnetic rails 20mm - Horizontal

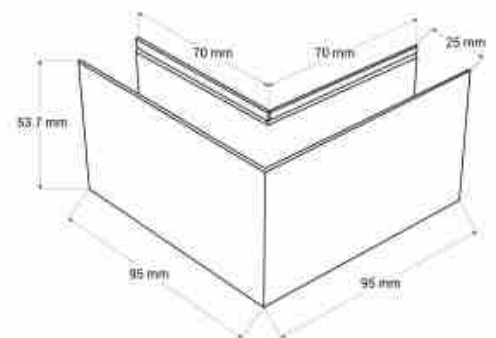
Ref. CMS-90H

The L-joint makes it possible to connect two sections of surface magnetic rail horizontally at a 90° angle. Its assembly is very simple and has all the necessary elements for it. Available in black and white. ** Does not include electrical connector**.




Product data

Dimensions (mm) LxH	95x53.7x25
Material	Aluminium
Use Outdoor	No
IP	IP20
Certificates	CE, ROHS
Warranty	3 years
Track Type	Magnetic



Product variants

Reference	Attributes	
CMS-90H-N	Colour - Black	
CMS-90H-B	Colour - White	