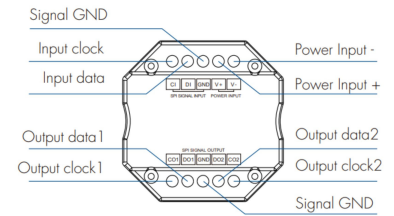




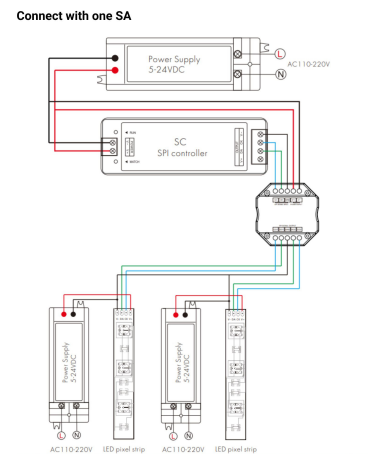
**Mechanical Structures and Installations**



# RGB/RGBW SPI signal splitter - 5-24VDC

**Ref. SK-SA**

SPI signal splitter for RGB and RGBW smart LED strips (IC).It splits a 1-group SPI signals, allowing for simultaneous control of multiple IC LED strips.It's used with a compatible SPI controller.



## Datos del producto

Nominal Voltage (V)	5-24V
Dimensions (mm) LxLxh	52 x 52 x 26
Use Outdoor	No
IP	IP20
Temperature range	-30°C ~ +55°C
Certificates	CE, ROHS
Warranty	According to legal guarantee: 2 years
Colour control	RGB, RGBW

