



## RGB + CCT three-phase LED track spotlight - 30W - Mi Light

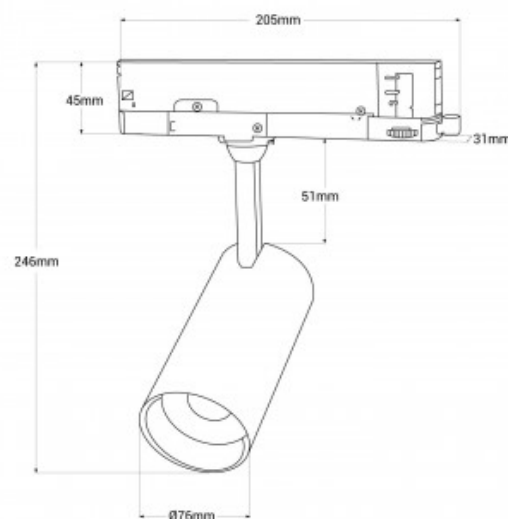
### Ref. TS5-30

The 30W LED spotlight for three-phase track is a state-of-the-art luminaire with a compact and modern design. By means of a compatible "Mi Light" remote control (Ref. FUT096 and FUT092), it is possible to control the lighting of the spotlight, which offers multiple color options by incorporating the RGB system, as well as two shades of white thanks to its CCT system: warm white and cold white. Its high color rendering index in white tones (CRI > 90) makes it possible to reproduce colors with great fidelity. Available in black and white.



### Product data

Hue	RGB+CCT
Kelvin (K)	2700, 6500
Lumens (Lm)	1800
CRI	90-95
Beam angle (°)	36
Power (W)	30
Nominal Voltage (V)	220 - 240 V/AC
Power factor (cosφ)	0.9
Dimensions (mm) LxH	246 x Ø76
Use Outdoor	No
IP	IP20
Temperature range	-10~40°C
Certificates	CE, ROHS
Track Type	Triphasic
Control Distance	30m



## Product variants

**Reference**

**Attributes**

TS5-30B-RF

Colour - Black



TS5-30W-RF

Colour - White

