



Recessed round LED downlight - 2W - Osram Chip - UGR18 - Cutout Ø 25mm - White

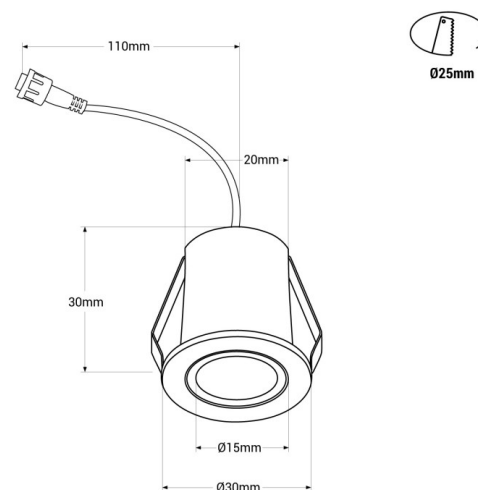
Ref. B1225-R-B-270

2W round LED downlight equipped with Osram LED chip and Lifud driver. It stands out for its low glare index (UGR<18) and high color rendering index (CRI>90), providing high quality and efficient lighting. Available in warm white (2700K).



Datos del producto

Hue	Extra warm white
Kelvin (K)	2700
Lumens (Lm)	42
CRI	90-95
Beam angle (°)	38
UGR	UGR18
Dimmable	No
Power (W)	2
Nominal Voltage (V)	220 - 240 V/AC
Driver	External, LIFUD
Sensor	No
Orientable	No
Dimensions (mm) LxIxh	Ø 30 X 30
Material	Aluminium
Diffuser material	Polycarbonate
Use Outdoor	No
IP	IP20
Energy efficiency class	G



LED Downlights

Certificates	CE, ROHS
Warranty	According to legal guarantee: 2 years
Cutting dimensions (mm)	Ø 25
Mounting	Recessed