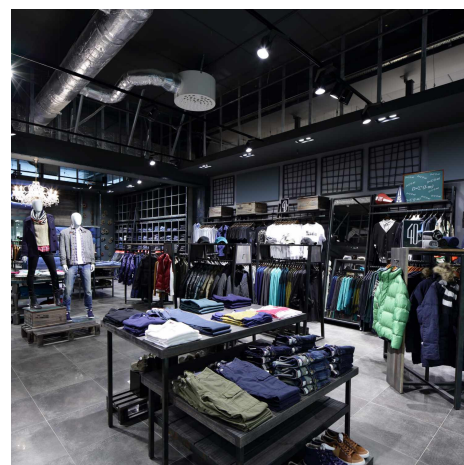




CCT LED 1-phase track spotlight - 40W - CRI 90 - Black

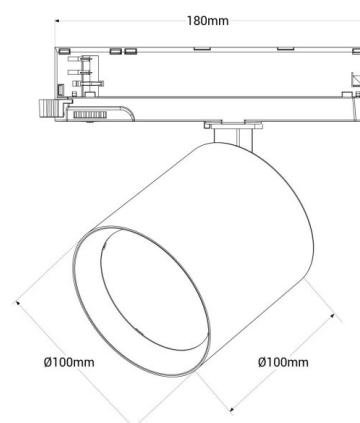
Ref. BPM-40W-CCT-N

1-phase LED track spotlight distinguished by its compact design and high-quality components. Its powerful beam with a COB LED chip precisely illuminates details, with a high colour rendering index (CRI >90), allowing colours to be displayed naturally. It features a body capable of horizontal rotation up to 350° and vertical rotation up to 90°, complemented by a beam angle of 38°. This ensures focused light, ideal for highlighting objects or products. Additionally, its CCT system provides the option to adjust the colour temperature, allowing the selection of the most suitable light for the needs of each project. It comes with a honeycomb-shaped filter with a diameter of 80mm and a thickness of 2mm, to be placed in the spotlight for anti-glare lighting.



Datos del producto

Hue	CCT
Kelvin (K)	3000, 6000, 4000
Lumens (Lm)	3293lm (warm white), 3186lm (cool white), 3272lm (neutral white)
CRI	90-95
Opening angle (°)	38
LED Type	COB
Dimmable	No
Power (W)	40
Nominal Voltage (V)	220 - 240 V/AC
Driver	Internal
Orientable	Yes
Dimensions (mm) LxIxh	Ø100 X 100 X 180
Material	Aluminium
Diffuser material	Polycarbonate
IP	IP20
Energy efficiency class	F
Certificates	CE, ROHS



Warranty _____ According to legal guarantee: 2 years _____
Track Type _____ Monophasic _____