



### LED 3-phase track spotlight - 40W - CRI 95 - Philips Xitanium Driver - Black

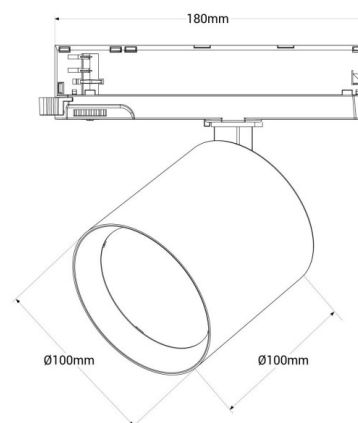
#### Ref. BPT-40WCRI-BN-N

3-Phase Track LED Spotlight with High CRI>95, characterized by a compact design and a Philips Xitanium "intrack" driver, integrated directly into the spotlight's connector on the track. Its powerful light beam with a COB LED chip precisely illuminates details, featuring a high colour rendering index (CRI >95), allowing colours to be displayed naturally. It features a body capable of horizontal rotation up to 350° and vertical rotation up to 90°, complemented by a beam angle of 38°. This ensures focused light, ideal for highlighting objects or products. It comes with a honeycomb-shaped filter with a diameter of 80mm and a thickness of 2mm, to be placed in the spotlight for anti-glare lighting. \*\*5 years warranty\*\*



### Datos del producto

Hue	Neutral white
Kelvin (K)	4000
CRI	95-97
Opening angle (°)	38
LED Type	COB
Dimmable	No
Power (W)	40
Nominal Voltage (V)	220 - 240 V/AC
Frequency (Hz)	50 - 60
Power factor (cosφ)	0.9
Driver	Philips
Orientable	Yes
Dimensions (mm) LxH	Ø 100 x 100 x 180
Material	Aluminium
Diffuser material	Polycarbonate
Use Outdoor	No
IP	IP20
Frequency of use	Intensive



## LED Track Spotlights

---

Lifetime (h)	50000
Energy efficiency class	E
Certificates	CE, ROHS
Warranty	5 years
Track Type	Triphasic