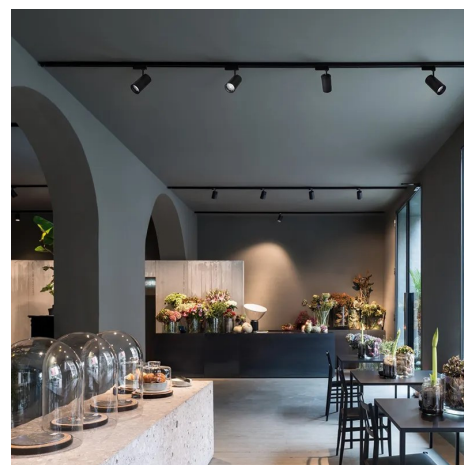




CCT LED 1-phase track spotlight - 10W - CRI 90 - KGP Driver - Black

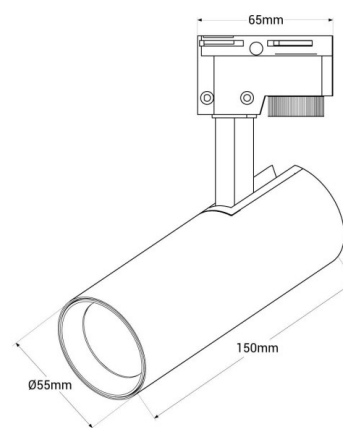
Ref. BPM-10W-CCT-N

1-phase LED track spotlight distinguished by its compact design and high-quality components. Its powerful beam with a COB LED chip precisely illuminates details, with a high colour rendering index (CRI >90), allowing colours to be displayed naturally. It features a body capable of horizontal rotation up to 350° and vertical rotation up to 90°, complemented by a beam angle of 38°. This ensures focused light, ideal for highlighting objects or products. Additionally, its CCT system provides the option to adjust the colour temperature, allowing the selection of the most suitable light for the needs of each project. It comes with a honeycomb-shaped filter with a diameter of 43mm and a thickness of 2mm, to be placed in the spotlight for anti-glare lighting.



Datos del producto

Hue	CCT
Kelvin (K)	3000, 4000, 6500
Lumens (Lm)	764lm (warm white), 821lm (neutral white) and 818lm (cool white)
CRI	90-95
Opening angle (°)	38
LED Type	COB
Dimmable	No
Power (W)	10
Nominal Voltage (V)	220 - 240 V/AC
Driver	Internal, KGP
Sensor	No
Dimensions (mm) LxIxh	Ø55 x 150 x 65
Material	Aluminium
Diffuser material	Polycarbonate
Use Outdoor	No
IP	IP20
Energy efficiency class	F



Certificates	CE, ROHS
Warranty	According to legal guarantee: 2 years
Track Type	Monophase
