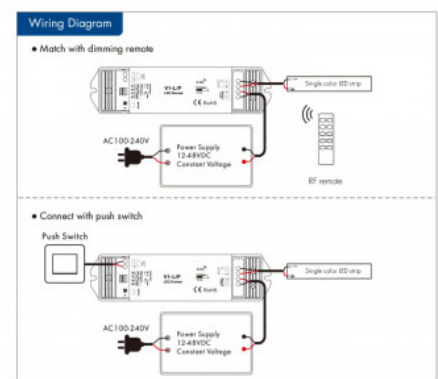




Single colour controller 12-48V DC - 15A - RF 2.4G - PUSH dimmer - Skydance

Ref. SK-V1-L/P

Single colour controller for 12-48V LED luminaires. It allows PWM frequency variation between: 500Hz, 2kHz, 8kHz, or 16kHz and selection of linear or logarithmic dimming curve. It offers smooth dimming from 0 to 100% without flickering and is compatible with 2.4G Skydance RF remote controls. It's PUSH dimmable. It features 'auto-transmission' and 'auto-synchronization' functions, allowing it to send signals to other controllers and synchronize them when they are controlled by the same remote control.



Product data

Power (W)	12V:180W / 24V:360W / 36V:360W / 48V:480 W
Nominal Voltage (V)	12-48V
Dimensions (mm) LxHxh	175 X 45 X 27
Use Outdoor	No
IP	IP20
Temperature range	-30°C ~ +55°C
Certificates	CE, ROHS
Warranty	5 years
Connectivity	RF
Control system	PUSH
Output voltage (V)	12 - 24
Maximum intensity (A)	15A (12-24V) / 10A (36-48V)
Control Distance	20m

