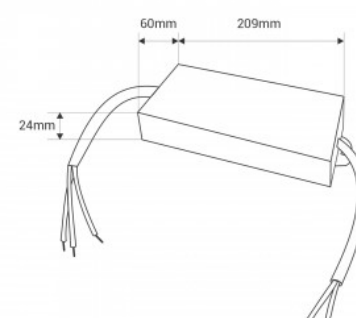




Waterproof Slim power supply - 150W - 24V - 6.3A - IP67

Ref. DY-150W-24-H

Waterproof slim 150W power supply, high efficiency and long lifespan. It's designed to power LED lamps with a voltage of 24V and a maximum of 6.3A. It features protection against short circuits, overloads, and overvoltages. Power 150W Output voltage: 24V Output Intensity: 6.3A IP67



Product data

Power (W)	150
Nominal Voltage (V)	170-265 V AC
Dimensions (mm) LxLxh	209 x 60 x 24
Use Outdoor	Yes
IP	IP67
Frequency of use	Normal
Certificates	CE, ROHS
Warranty	According to legal guarantee: 2 years
Output voltage (V)	24V
Maximum intensity (A)	6.3

