



PVC 1-phase track for LED spotlights - Surface-mounted - 2 meters

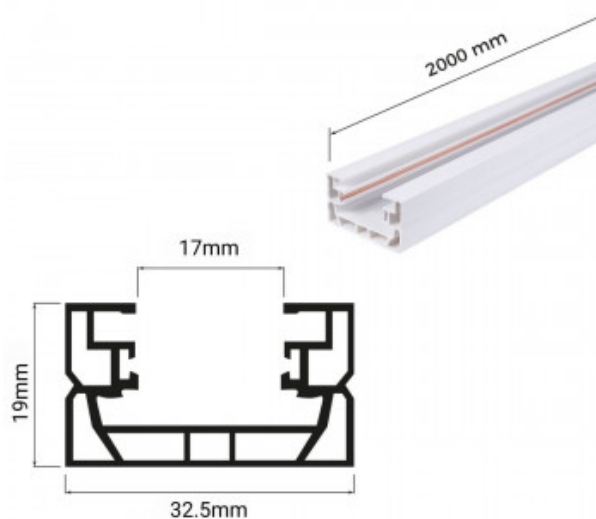
Ref. BTMP-200

1-phase track made in PVC, (32.5 x 19mm) strong and durable. It's suitable for both commercial, industrial and domestic applications, combining performance and ease of installation. **Includes starter and end cap** Single phase 220-240 V AC 2000 x 32.5 x 19mm IP20





Product data

Nominal Voltage (V)	220 - 240 V/AC
Dimensions (mm) LxH	2000 x 32,5 x 19
Material	PVC
IP	IP20
Certificates	CE, ROHS
Warranty	According to legal guarantee: 2 years
Mounting	Surface
Maximum power (W)	1000
Maximum intensity (A)	4.3
Track Type	Monophasic



Product variants

Reference	Attributes	
BTMP-200-N	Colour - Black	
BTMP-200-B	Colour - White	