



End cap for submersible LED strip - 10mm PCB

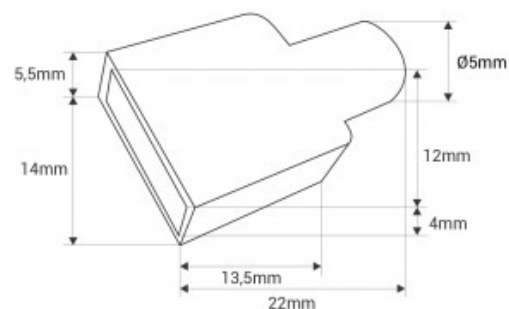
Ref. NWS0412-T

Silicone end cap for submersible LED strip with 10mm PCB. Ensures total watertightness and provides a professional finish to the installation. Available end cap with hole, and blind end cap. Compatible with SKU: NWS0412-24V-10M, NWS0412-48V-20M, NWS0512-24V-10M-RGB, NWS0512-24V-10M-RGBW. **Price includes one cap**



Product data

Dimensions (mm) LxIxh	13.5 x 14 x 5.5
Material	Silicone
Use Outdoor	Yes
IP	IP68
Certificates	CE, ROHS
Warranty	According to legal guarantee: 2 years



Product variants

Reference

Attributes

NWS0412-TI

Side end caps - With Hole



NWS0412-TF

Side end caps - Without Hole

