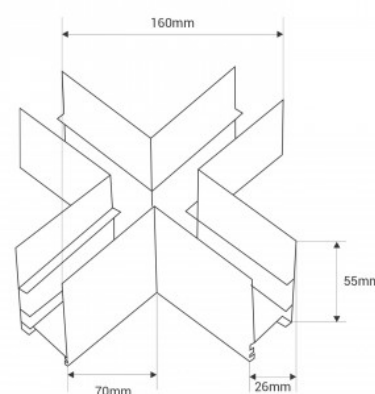


X-connector for surface mounted magnetic track - 20mm - White

Ref. CMS-X-B

The X-connector allows the connection of four sections of surface-mounted magnetic track at a 90° angle, forming an intersection on the same plane. It is easy to assemble and includes all the necessary accessories to ensure optimum installation. Available in black and white. **Does not include electrical connector**



Product data

Material	Aluminium
Use Outdoor	No
IP	IP20
Certificates	CE, ROHS
Warranty	According to legal guarantee: 2 years
Track Type	Magnetic
Length	160mm
Width	26mm
Height	55mm

