



Rigid L-joint for recessed three-phase rail - 90° - RIGHT

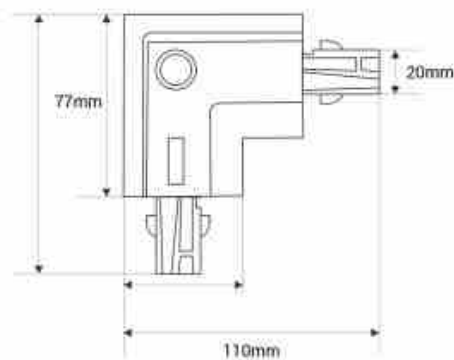
Ref. BTTE-GB03-D

RIGHT 90° joint for recessed three-phase rails, perfect for precise turns in installations. Available in black and white.




Product data

Material	Aluminium, Polycarbonate
Certificates	CE, ROHS
Warranty	10 years
Track Type	Triphasic



Product variants

Reference	Attributes	
BTTE-GB03-D-N	Colour - Black	
BTTE-GB03-D-B	Colour - White	