



L-joint for recessed three-phase rail - 90° - LEFT

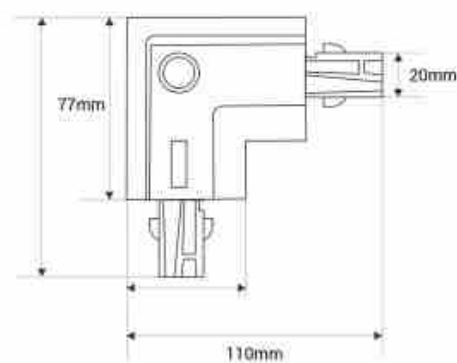
Ref. BTTE-GB03-I

LEFT 90° joint for recessed three-phase rails, perfect for precise turns in installations. Available in black and white.



Product data

Material	Aluminium, Polycarbonate
Certificates	CE, ROHS
Warranty	10 years
Track Type	Triphasic
Length	
Width	



Product variants

Reference

Attributes

BTTE-GB03-I-N

Colour - Black



BTTE-GB03-I-B

Colour - White

