



Rigid X-joint for embedded three-phase track

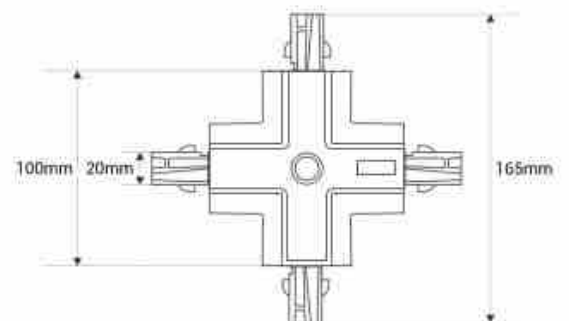
Ref. BTTE-GB05

X" joint for recessed three-phase rails. Designed to connect four sections of three-phase rail at 90° angles, offering a precise and functional installation. Available in black and white.




Product data

Certificates	CE, ROHS
Warranty	10 years
Track Type	Triphasic



Product variants

Reference	Attributes	
BTTE-GB05-N	Colour - Black	
BTTE-GB05-B	Colour - White	