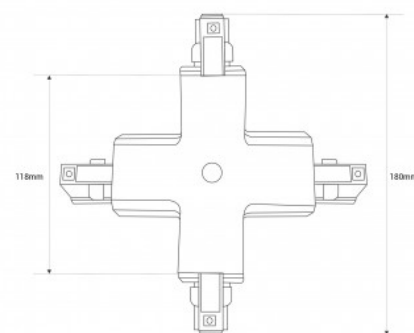




## Rigid X-joint for three-phase surface rail

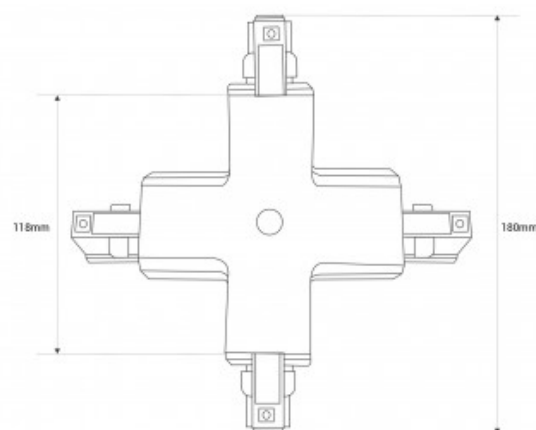
Ref. BTT-GB05

X" joint for three-phase surface mounted rails. Designed to connect four sections of three-phase rail at 90° angles, providing a precise and functional installation. Available in black and white.




### Product data

Use Outdoor	No
IP	IP20
Certificates	CE, ROHS
Warranty	10 years



**Product variants**

Reference	Attributes	
BTT-GB05-N	Colour - Black	
BTT-GB05-B	Colour - White	