

FUMAGALLI "Amelia Wall" slanted LED wall light - E27 - IP55

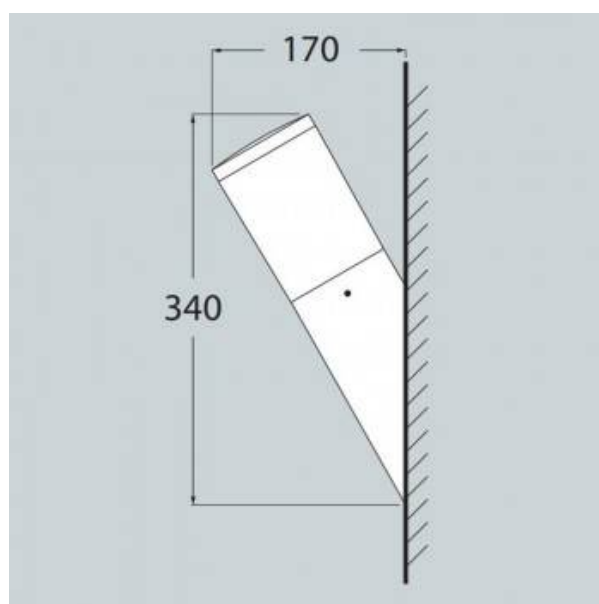
Ref. DR2.571.000

Inclined tubularexterior wall light of the Italian firm FUMAGALLI, of great design and quality. It is made of resin resistant to shock, corrosion and degradation by UV rays. Due to its IP55 degree of protection, it is suitable for outdoor use. It incorporates an opal diffuser and a lamp holder for E27 LED bulb in The available combinations:- Grey wall light: 6W - 4000K- Black and white wall light: 8,5W - CCT (2700K-4000K-6500K)



Product data

Hue	Neutral white, CCT
Kelvin (K)	4000
Dimmable	No
Power (W)	6, 8,5
Nominal Voltage (V)	220 - 240 V/AC
Frequency (Hz)	50 - 60
Socket	E27
Dimensions (mm) LxHxW	Ø100x340x170
Material	Resin
Diffuser material	PMMA
Use Outdoor	Yes
IP	IP55
Temperature range	-20°C ~ +40°C
Frequency of use	Intensive
Lifetime (h)	25000
Energy efficiency class	A+ (2021)
Certificates	CE, ROHS
Warranty	According to legal guarantee: 2 years



Mounting

Surface

Product variants

Reference

Attributes

DR2.571.000.AYV1K

Colour - Black



DR2.571.000.WYV1K

Colour - White



DR2.571.000.LYF1L

Colour - Grey

